

# Data Sheet

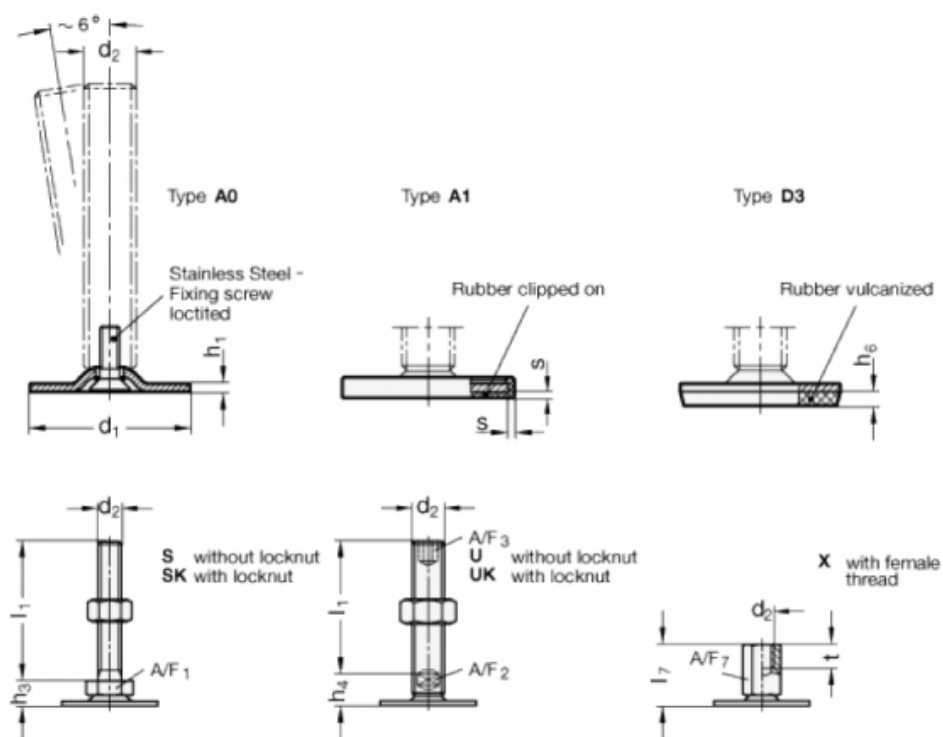


Article number: 204050M16125A3UK

Description: E+G levelling foot  
GN 40-50-M16-125-A3-UK

Note: UK With nut, Hexagon socket at the top, Wrench flat at the bottom

## Measures



A/F2 = 12  
 A/F3 = 8  
 d1 = 50  
 d2 = M16  
 h1 = 2.5  
 h4 = 17  
 h6 = 4  
 l1 = 125

s =